

Vulnerable Witness Court

PROTOTYPE DRAWINGS & GUIDELINES

MARCH, 2022

Prepared under the directions of

Justice Gita Mittal

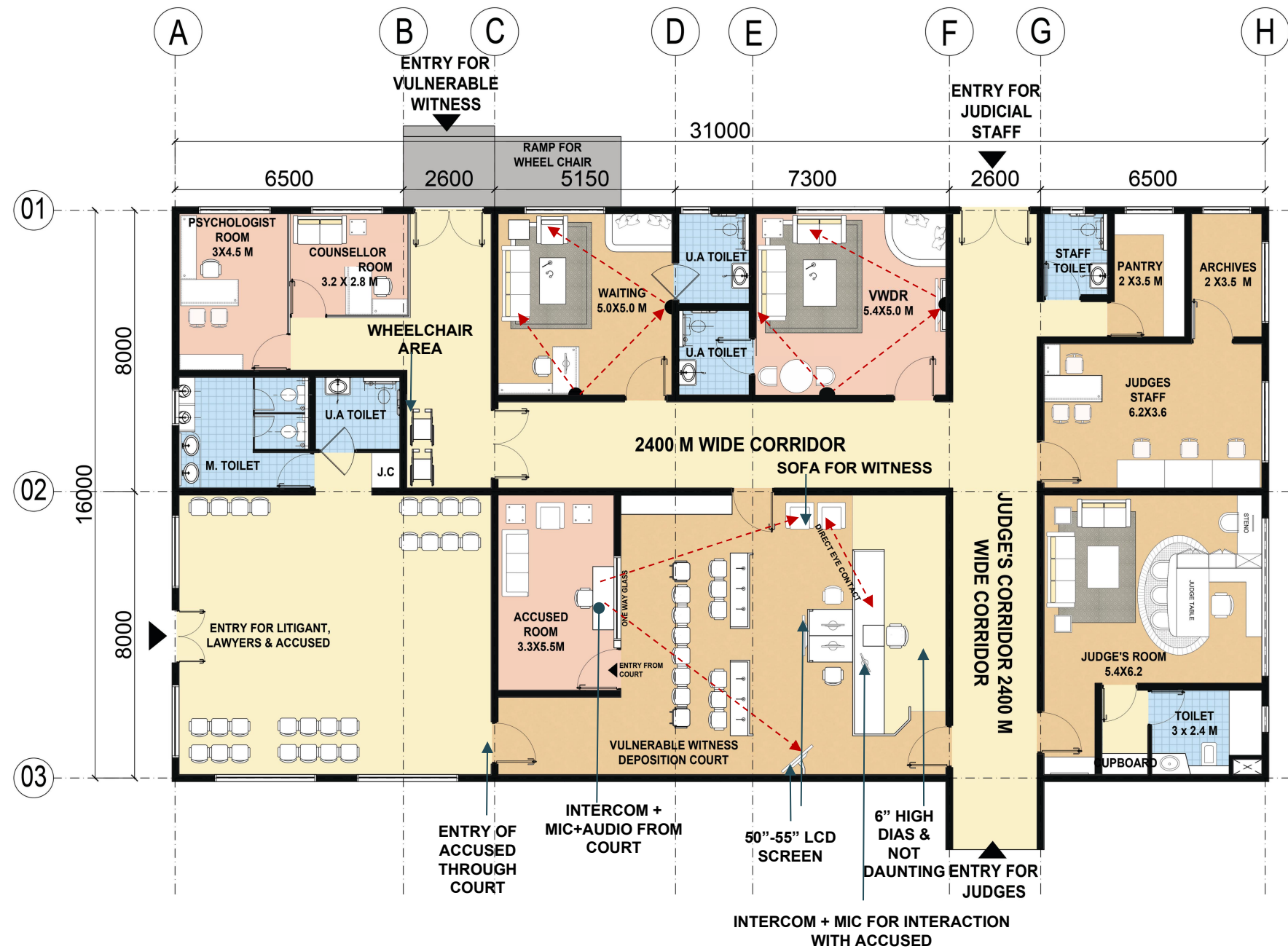
Chairperson - Vulnerable Witness Deposition Committee
appointed by the Hon'ble Supreme Court of India vide order
dated 11.01.2022 in Smruti Tukaram Badade v. State of
Maharashtra & Anr (Crl. App. No. 1101/2019).

Prototype drawings prepared by
Architect Goonmeet Singh Chauhan
- Partner Design Forum International

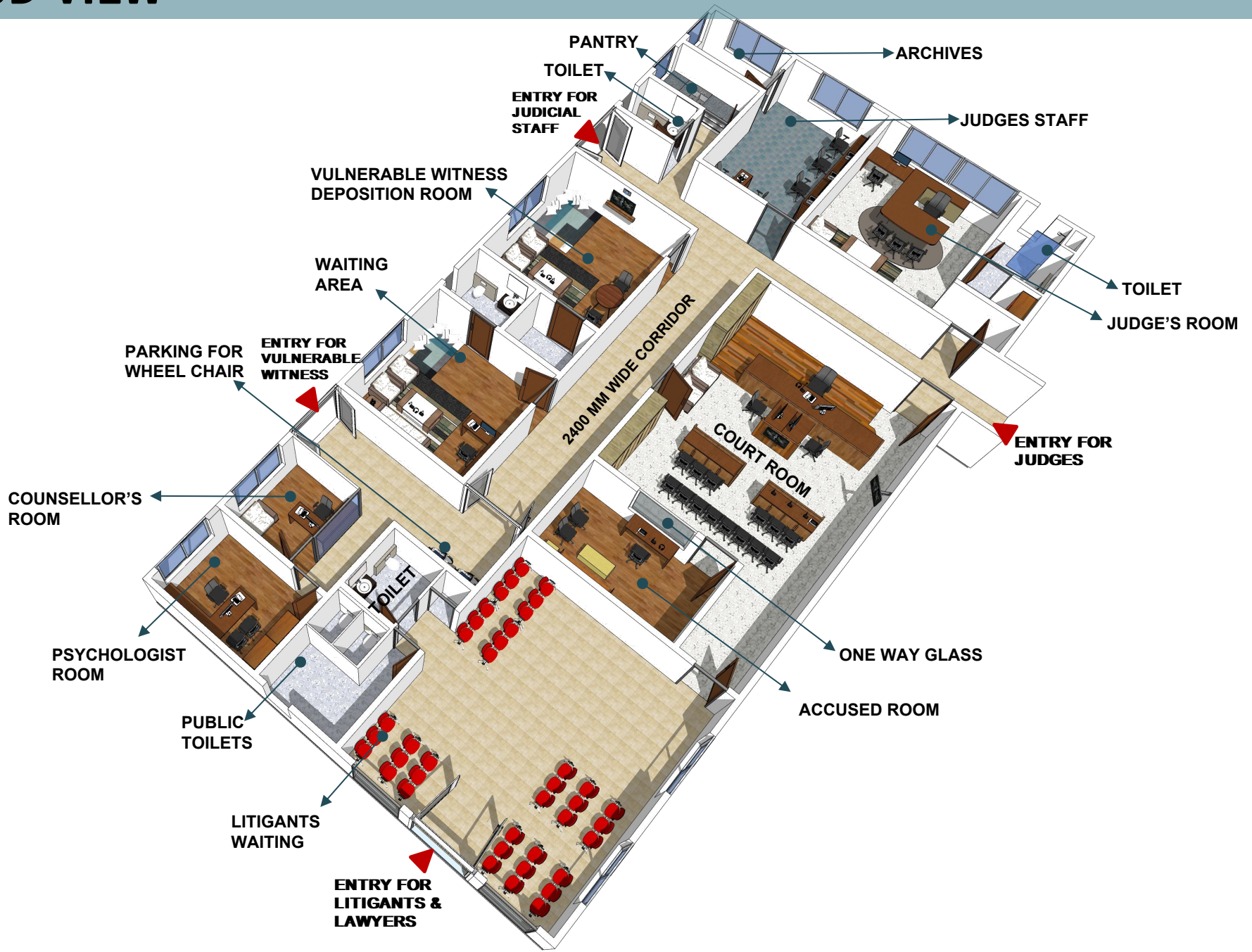
PROJECT REQUIREMENT

1. VULNERABLE WITNESS DEPOSITION COURT
2. JUDGE'S ROOM
3. JUDGE'S STAFF ROOM
4. ACCUSED ROOM
5. ARCHIVES
6. WITNESS DEPOSITION ROOM
7. WAITING ROOM
8. COUNSELLOR ROOM
9. PSYCHOLOGIST ROOM
10. TOILETS & PANTRY

VULNERABLE WITNESS DEPOSITION COURT (SUGGESTED PROTOTYPE PLAN)

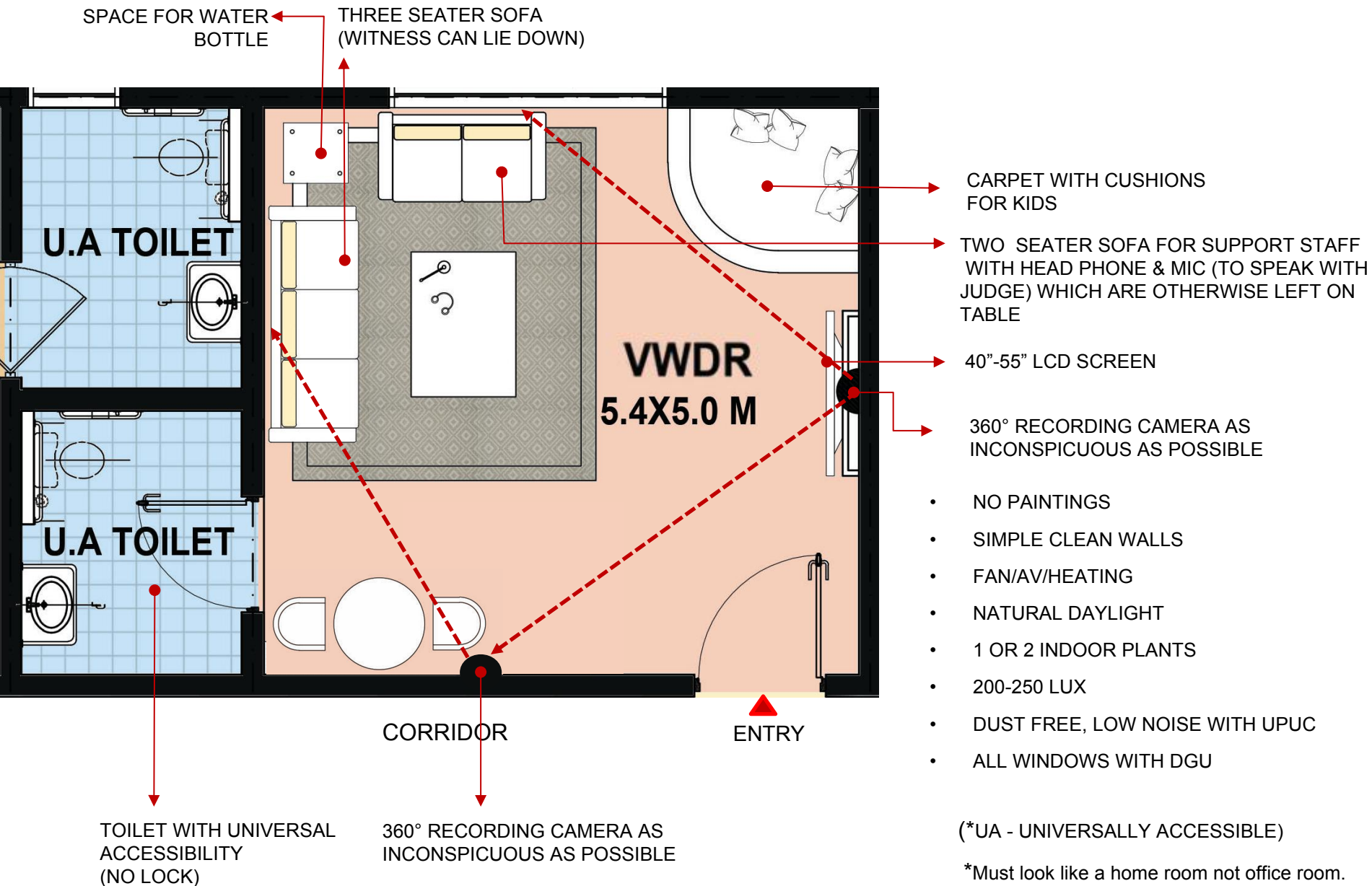


3D VIEW



VULNERABLE WITNESS DEPOSITION ROOM

**Must look like a home room not office room.*

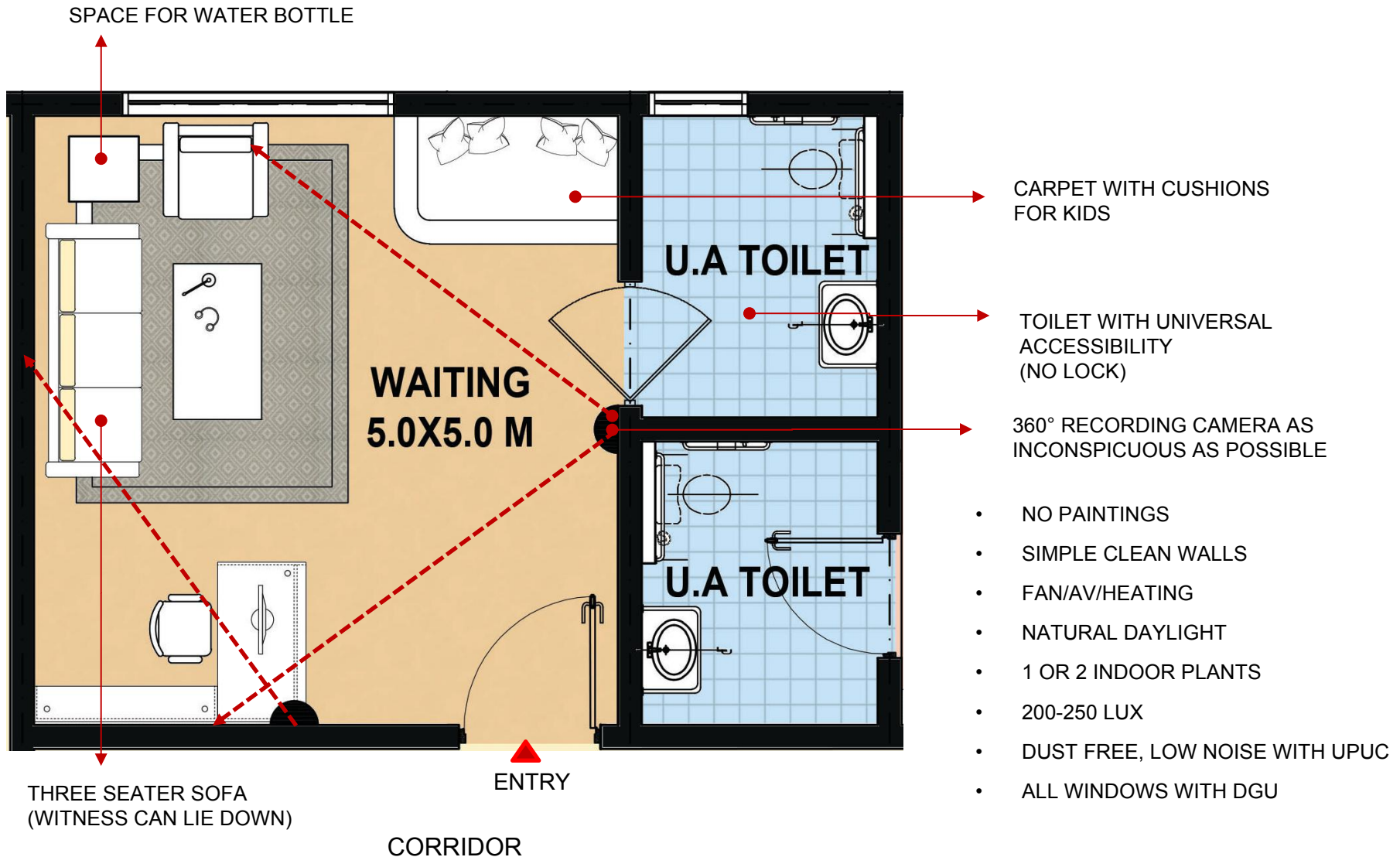


VULNERABLE WITNESS DEPOSITION ROOM



WAITING ROOM

**Must look like a home room not office room.*



(*UA - UNIVERSALLY ACCESSIBLE)

**Must look like a home room not office room.*

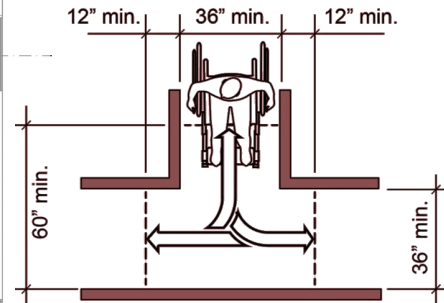
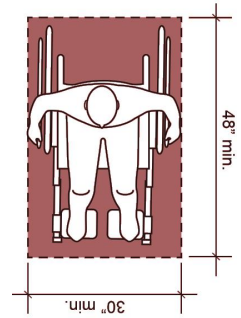
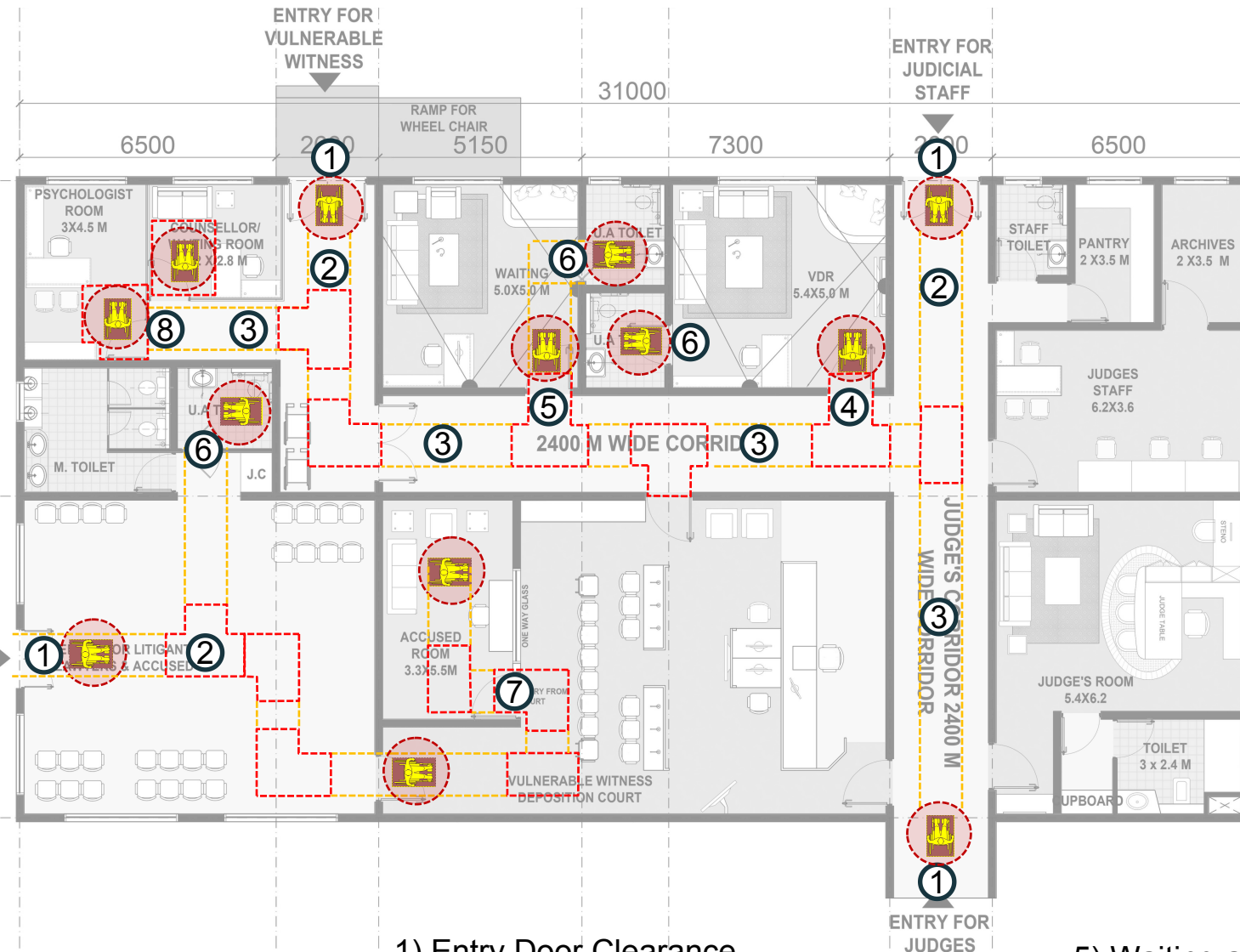
WAITING ROOM



VULNERABLE WITNESS DEPOSITION COURT



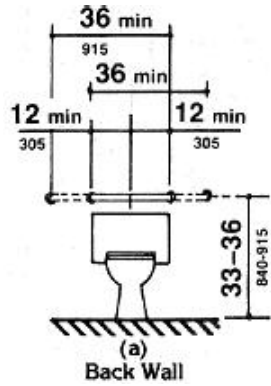
CIRCULATION AS PER ADA (Americans Disabilities Act)



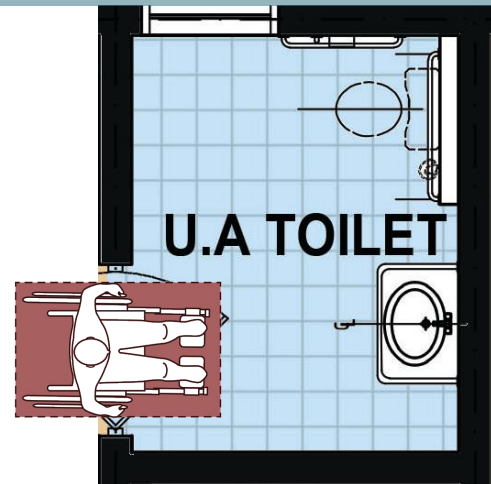
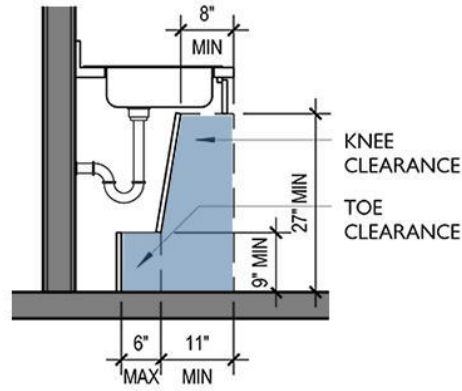
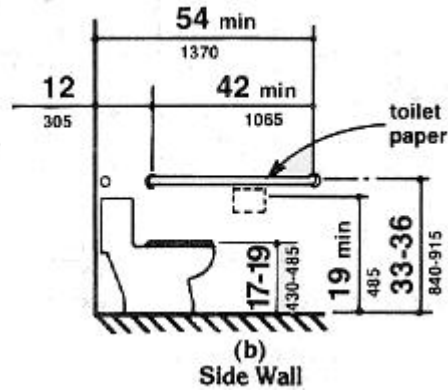
- 1) Entry Door Clearance
- 2) Vestibule Clearance
- 3) 915mm clear passage for movement
- 4) VWDR Room Entry

- 5) Waiting area Entry
- 6) Movement in toilet
- 7) Accused Room Entry
- 8) Psychologist Room Entry

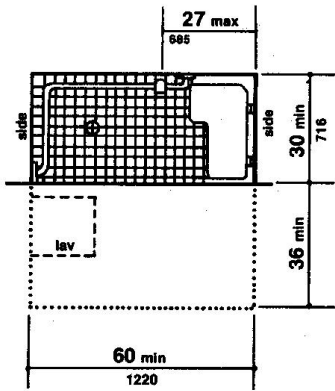
TOILET LAYOUT - AS PER ADA (Americans Disabilities Act)



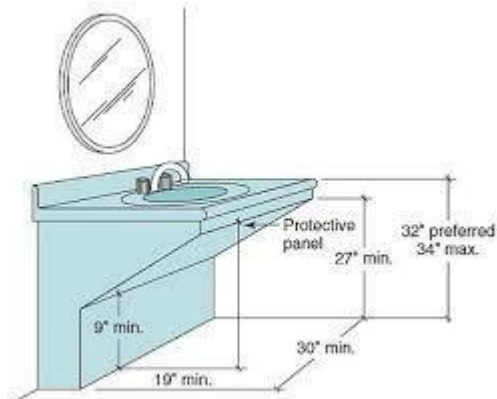
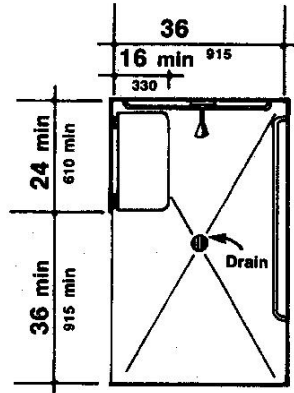
1. Grab bar at wc



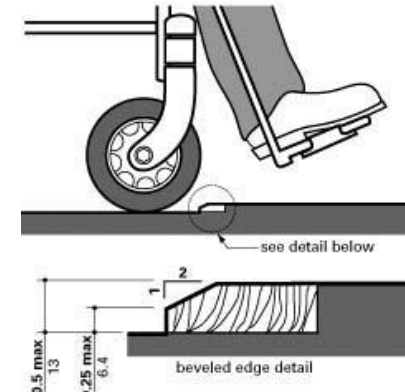
PROPOSED TOILET



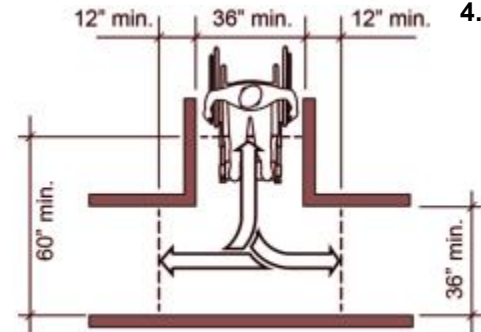
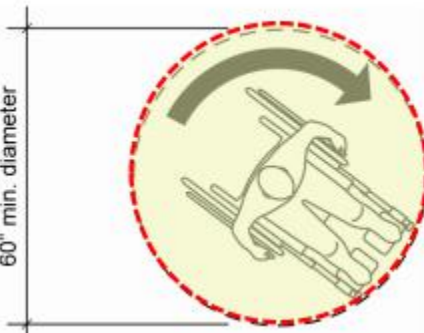
2. Grab bar at roll in shower with seat



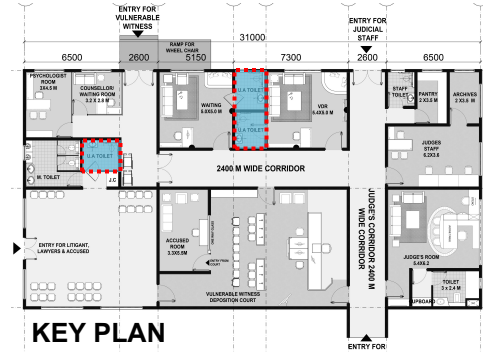
4. Ada compliant wash basin



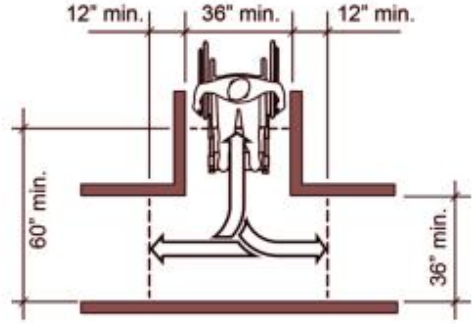
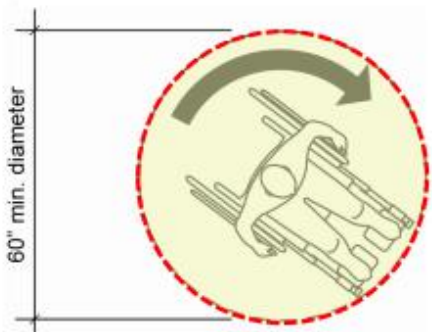
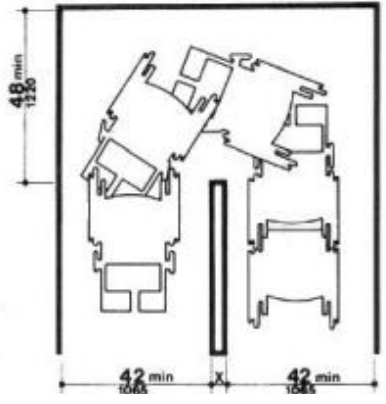
6. Beveled edge (shower area)



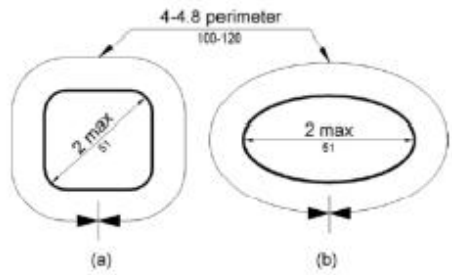
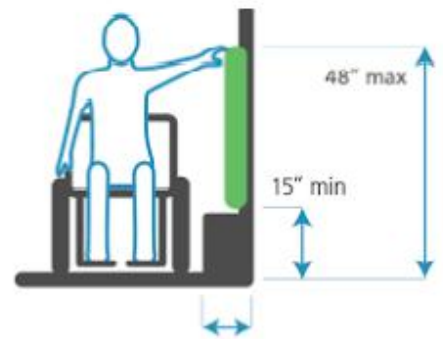
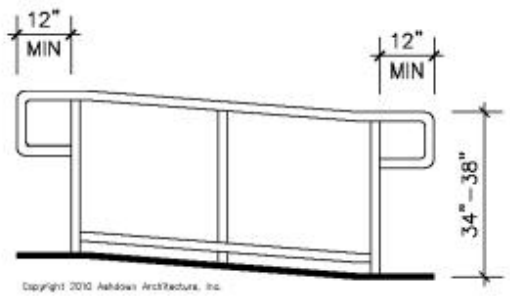
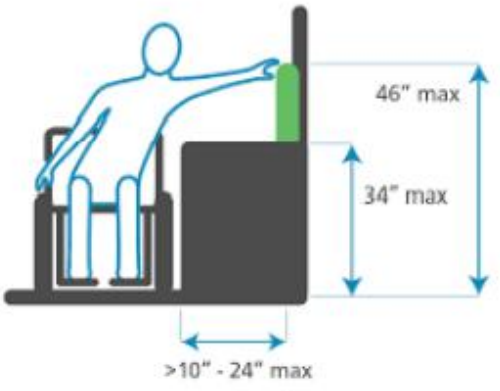
3. Wheelchair circulation



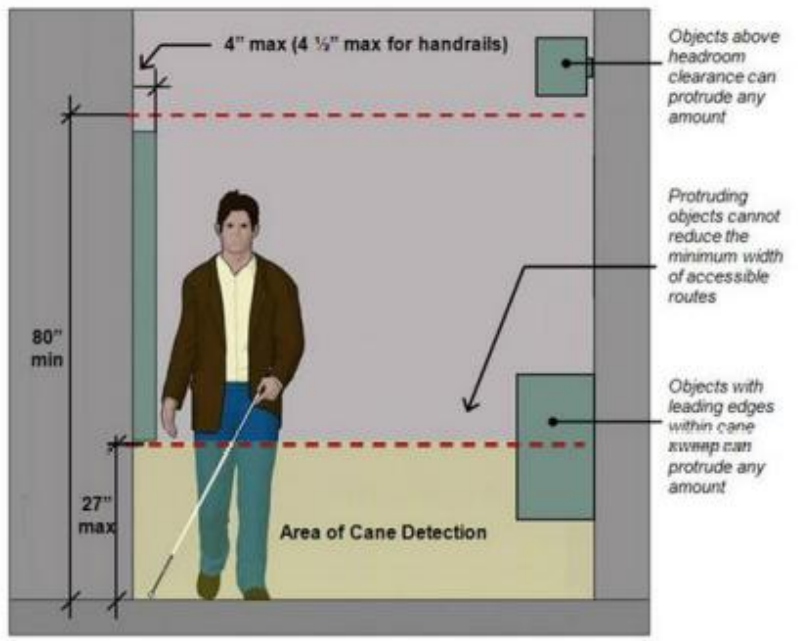
ADA GUIDELINES



1. Wheelchair circulation



3. Ramp and handrail



4. Limits of protruding objects

2. Ada complaint reach diagrams

The VWDC is also being made at Srinagar District Courts, Jammu District Courts & Rohini District courts in the same manner.



Srinagar District Court



Rohini District Court

THANK YOU